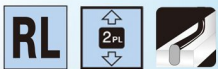


For Product Step File or 3D Model Send a Request Mail To info@nrack.com

Key Locks



Panel Locks

Photo View

Plane Locks



K7010-05

3Point Locks (Round & Flat)

Handle & Knobs

Hinges

3D Rendered View

Airvents

Gasketing

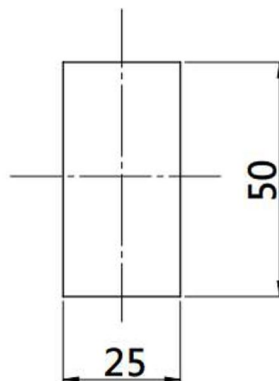
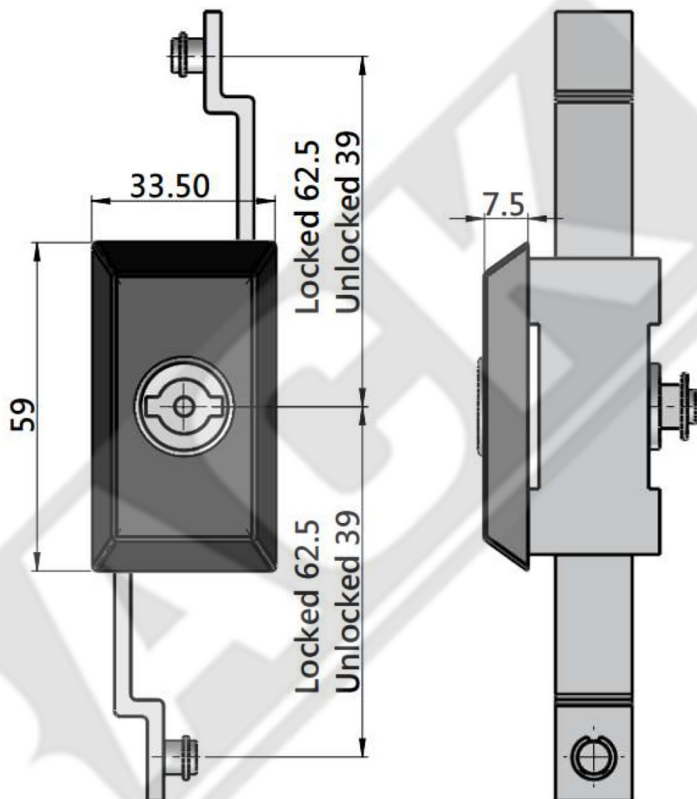
Canopy Locks

Other Accessories

MS 1002Z-1-1

- Material: PA lock housing, zinc alloy lock cylinder, rod control box, sand bright chrome plating rack
- Finish: Black powder coated
- Panel thickness: 1 ~3.5mm

Stainless Steel



PANEL CUTOUT